



# ICN020

## HARDMOUNT WASHER-EXTRACTOR

FOR VENDED LAUNDRY APPLICATIONS

INDUSTRIAL  
BY DESIGN



### Dependable

- Frame made of welded steel plate to increase life
- Large door allows easy loading and unloading
- Improved door lock and ergonomic door handle are designed for industrial use
- Wash cylinder made out of stainless steel
  - Cylinder ribs provide perfect distribution of linens
- Pulleys and oversized bearing house made of cast iron
- 10-year extended warranty on the frame, cylinder, shaft, bearings and seals
- 3-year warranty on entire machine

### Efficient

- 4-compartment soap dispenser: two for powder and two for liquid soap
  - Lid with clear symbols for perfect dosage
- Drain mounted directly under the tub to reduce water consumption
- Minimal distance between tub and drum decreases water usage
- Slow drain and leak detection conserves water and reduces preventative maintenance
- Infrared communications port allows for programming and monitoring of your laundromat's equipment from a PC or laptop

### Intuitive

- Maestro V
  - Time-of-day pricing allows operator to choose between two price points and select hour blocks when each is in effect
  - 6 optimized wash cycles with the option of user-selectable modifiers for prewash and extra rinse
  - One-touch allows for easy operation: simply choose a program, then press start
  - Serial card interface - compatible with third-party card reader systems

## IntelliSpin<sup>®</sup>

INNOVATIVE  
TECHNOLOGY FOR  
MAXIMUM PRODUCTIVITY

IntelliSpin is a technology that utilizes up to 200 G-Force to extract more water from the clothes and reduce bottlenecks at the dryer. This results in matched cycle times between the washer and dryer to optimize turns, saving customers time while increasing traffic flow and reducing your utility costs.

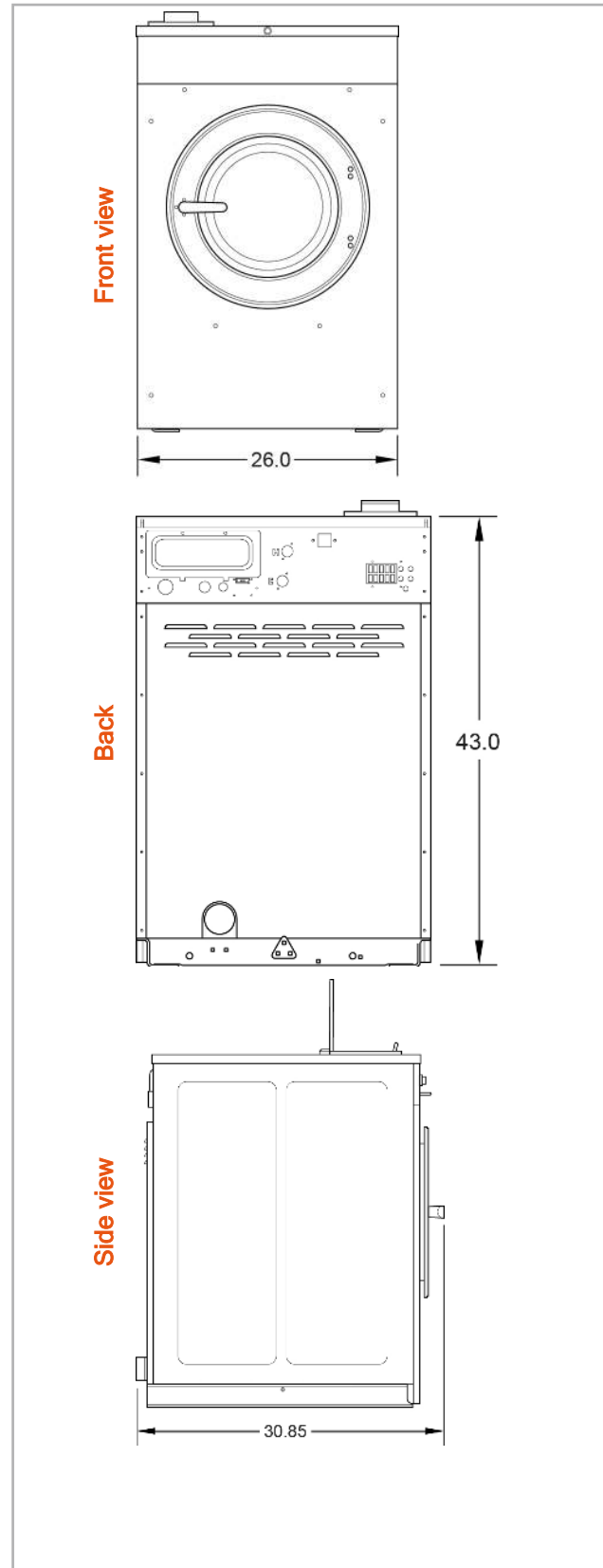
# ICN020

## Technical specifications

Cylinder capacity (lb)	20.0
Cylinder volume (cu ft)	2.8
Cylinder diameter (inch)	21
Cylinder depth (inch)	13.75
Perforations diameter (inch)	0.188
Door opening diameter (inch)	11.63
Height under door (inch)	14.38
Height to doorhandle (inch)	23.0
Door swing (°)	165
Normal spin speed cylinder (rpm)	579
Fast spin speed cylinder (rpm)	819
Wash speed cylinder (rpm)	51
G-Force normal spin	100
G-Force fast spin	200
Dynamic bottom load (Lb/kN)	420/1.86
Noise (dBA) (wash/spin)	58/61
Power motor (hp)	1.0
Water pressure (psi)	20-85
Hot water temp (°F) COIN	125
Water supply (inch)	2 x 3/4"
Diameter drain (inch)	2
Drain flow capacity (gallons/min)	25
Steam pressure (psi)	30-80
Steam connection	1 x 1/2"
Net unit weight (lb)	335
Net unit dimensions (HxWxD) (inch)	43.0 x 26.0 x 30.85
Std Pkg weight (lb)	365
Std Pkg Ship Dim. (HxWxD) (inch)	49.4 x 28.0 x 33.8

## Voltages

Boiler Fed /Steam N:440-480/50/60/3	15A
Boiler Fed /Steam X:200-208/220-240/50/60/1/3	15A



All specifications subject to change without notice



# ICN030

## HARDMOUNT WASHER-EXTRACTOR

FOR VENDED LAUNDRY APPLICATIONS

INDUSTRIAL  
BY DESIGN



### Dependable

- Frame made of welded steel plate to increase life
- Large door allows easy loading and unloading
- Improved door lock and ergonomic door handle are designed for industrial use
- Wash cylinder made of stainless steel
  - Cylinder ribs provide perfect distribution of linens
- Pulleys and oversized bearing house made of cast iron
- 10-year extended warranty on the frame, cylinder, shaft, bearings and seals
- 3-year warranty on entire machine

### Efficient

- 4-compartment soap dispenser: two for powder and two for liquid soap
  - Lid with clear symbols for perfect dosage
- Drain mounted directly under the tub to reduce water consumption
- Minimal distance between tub and drum decreases water usage
- Slow drain and leak detection conserves water and reduces preventative maintenance
- Infrared communications port allows for programming and monitoring of your laundromat's equipment from a PC or laptop

### Intuitive

- Maestro V
  - Time-of-day pricing allows operator to choose between two price points and select hour blocks when each is in effect
  - 6 optimized wash cycles with the option of user-selectable modifiers for prewash and extra rinse
  - One-touch allows for easy operation: simply choose a program, then press start
  - Serial card interface - compatible with third-party card reader systems

## IntelliSpin<sup>®</sup>

INNOVATIVE  
TECHNOLOGY FOR  
MAXIMUM PRODUCTIVITY

IntelliSpin is a technology that utilizes up to 200 G-Force to extract more water from the clothes and reduce bottlenecks at the dryer. This results in matched cycle times between the washer and dryer to optimize turns, saving customers time while increasing traffic flow and reducing your utility costs.

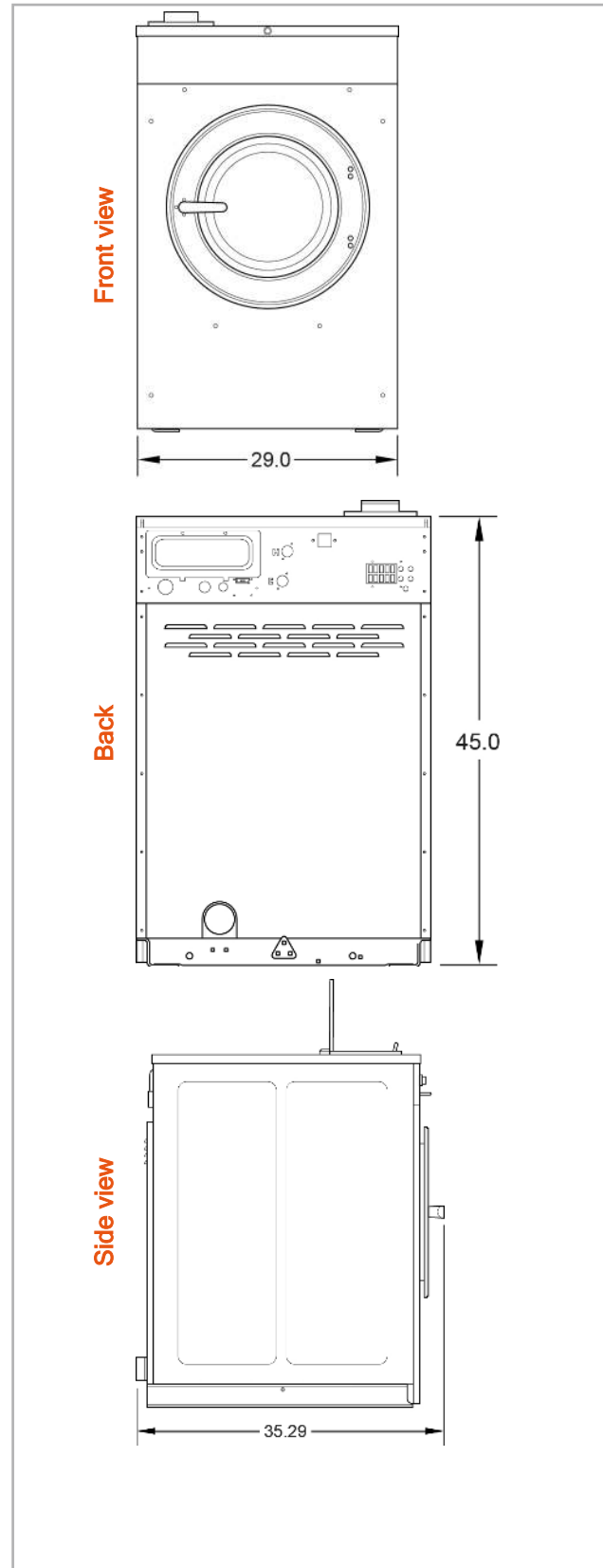
# ICN030

## Technical specifications

Cylinder capacity (lb)	30.0
Cylinder volume (cu ft)	4.2
Cylinder diameter (inch)	24.0
Cylinder depth (inch)	16.0
Perforations diameter (inch)	0.188
Door opening diameter (inch)	14.34
Height under door (inch)	14.0
Height to doorhandle (inch)	24.0
Door swing (°)	130
Normal spin speed cylinder (rpm)	542
Fast spin speed cylinder (rpm)	766
Wash speed cylinder (rpm)	48
G-Force normal spin	100
G-Force fast spin	200
Dynamic bottom load (Lb/kN)	630/2.8
Noise (dBA) (wash/spin)	58/66
Power motor (hp)	2.0
Water pressure (psi)	20-85
Hot water temp (°F) COIN	125
Water supply (inch)	2 x 3/4"
Diameter drain (inch)	2
Drain flow capacity (gallons/min)	30
Steam pressure (psi)	30-80
Steam connection	1 x 1/2"
Net unit weight (lb)	460
Net unit dimensions (HxWxD) (inch)	45.0 x 29.0 x 35.29
Std Pkg weight (lb)	495
Std Pkg Ship Dim. (HxWxD) (inch)	51.3 x 31.5 x 38.3

## Voltages

Boiler Fed /Steam N:440-480/50/60/3	15A
Boiler Fed /Steam X:200-208/220-240/50/60/1/3	15A



All specifications subject to change without notice



# ICN060

## HARDMOUNT WASHER-EXTRACTOR

FOR VENDED LAUNDRY APPLICATIONS

INDUSTRIAL  
BY DESIGN



### Dependable

- Frame made of welded steel plate to increase life
- Large door allows easy loading and unloading
- Improved door lock and ergonomic door handle are designed for industrial use
- Wash cylinder made of stainless steel
  - Cylinder ribs provide perfect distribution of linens
- Pulleys and oversized bearing house made of cast iron
- 10-year extended warranty on the frame, cylinder, shaft, bearings and seals
- 3-year warranty on entire machine

### Efficient

- 4-compartment soap dispenser: two for powder and two for liquid soap
  - Lid with clear symbols for perfect dosage
- Drain mounted directly under the tub to reduce water consumption
- Minimal distance between tub and drum decreases water usage
- Slow drain and leak detection conserves water and reduces preventative maintenance
- Infrared communications port allows for programming and monitoring of your laundromat's equipment from a PC or laptop

### Intuitive

- Maestro V
  - Time-of-day pricing allows operator to choose between two price points and select hour blocks when each is in effect
  - 6 optimized wash cycles with the option of user-selectable modifiers for prewash and extra rinse
  - One-touch allows for easy operation: simply choose a program, then press start
  - Serial card interface - compatible with third-party card reader systems

## IntelliSpin<sup>®</sup>

INNOVATIVE  
TECHNOLOGY FOR  
MAXIMUM PRODUCTIVITY

IntelliSpin is a technology that utilizes up to 200 G-Force to extract more water from the clothes and reduce bottlenecks at the dryer. This results in matched cycle times between the washer and dryer to optimize turns, saving customers time while increasing traffic flow and reducing your utility costs.

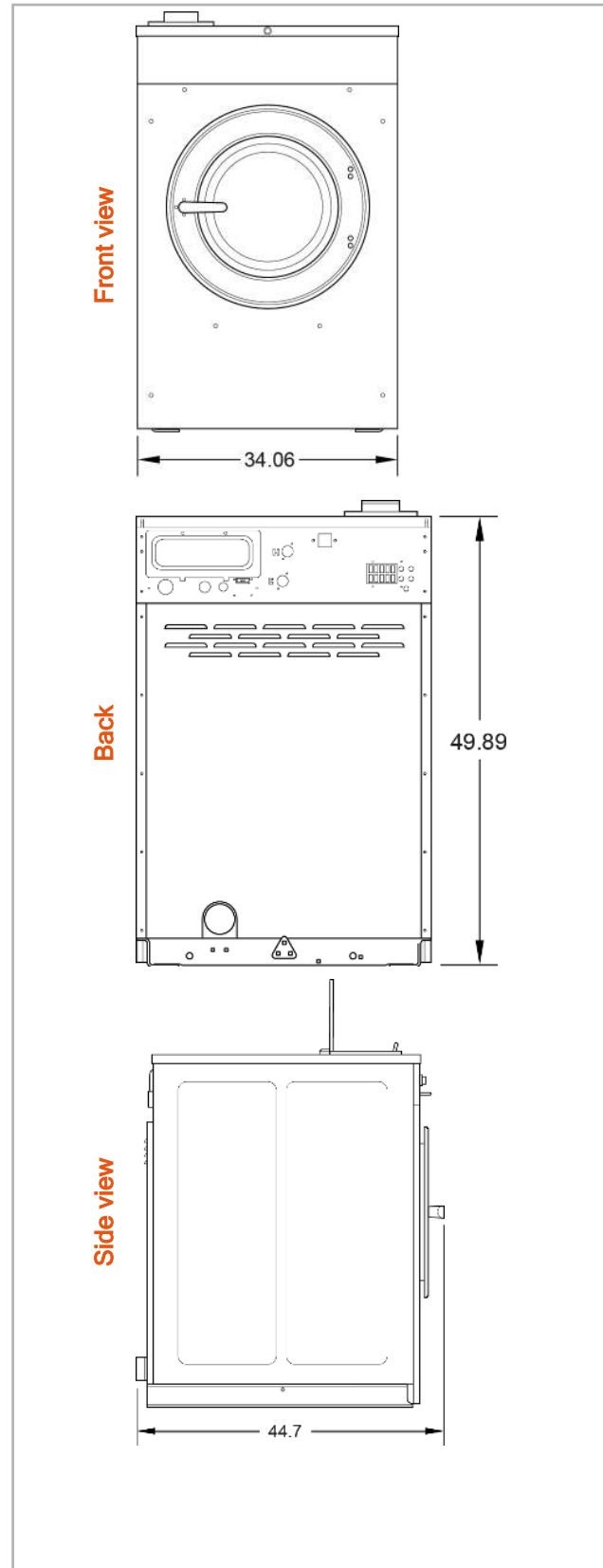
# ICN060

## Technical specifications

Cylinder capacity (lb)	60.0
Cylinder volume (cu ft)	9.0
Cylinder diameter (inch)	30.0
Cylinder depth (inch)	22.0
Perforations diameter (inch)	0.188
Door opening diameter (inch)	16.25
Height under door (inch)	14.94
Height to doorhandle (inch)	26.4
Door swing (°)	110
Normal spin speed cylinder (rpm)	485
Fast spin speed cylinder (rpm)	686
Wash speed cylinder (rpm)	43
G-Force normal spin	100
G-Force fast spin	200
Dynamic bottom load (Lb/kN)	1260/5.61
Noise (dBA) (wash/spin)	58/66
Power motor (hp)	3.0
Water pressure (psi)	20-85
Hot water temp (°F) COIN	125
Water supply (inch)	2 x 3/4"
Diameter drain (inch)	3
Drain flow capacity (gallons/min)	50
Steam pressure (psi)	30-80
Steam connection	1 x 1/2"
Net unit weight (lb)	695
Net unit dimensions (HxWxD) (inch)	49.89 x 34.06 x 44.7
Std Pkg weight (lb)	745
Std Pkg Ship Dim. (HxWxD) (inch)	56.3 x 37.5 x 46.9

## Voltages

Boiler Fed /Steam N:440-480/50/60/3	15A
Boiler Fed /Steam X:200-208/220-240/50/60/1/3	15A



All specifications subject to change without notice