



ICN020

HARDMOUNT WASHER-EXTRACTOR

FOR ON-PREMISES LAUNDRY APPLICATIONS

INDUSTRIAL
BY DESIGN



Dependable

- Frame made of welded steel plate to increase life
- Large door allows easy loading and unloading
- Improved door lock and ergonomic door handle are designed for industrial use
- Cylinder made out of stainless steel
 - Optimized cylinder ribs for perfect distribution of linens
- Pulleys and oversized bearing house made of cast iron
- 5-year extended warranty on the frame, cylinder, shaft, bearings and seals.
3-year warranty on entire machine.

Efficient

- 4-compartment soap dispenser: two for powder and two for liquid soap
 - Lid with clear symbols for perfect dosage
- Drain mounted directly under the tub to reduce water consumption and allow re-use of water
- Minimal distance between tub and drum decreases water usage
- Slow drain and leak detection conserves water and reduces preventative maintenance
- Infrared communications port allows for programming and monitoring of your commercial laundry equipment from a PC or laptop
- 30 programmable water levels with Maestro G3 control provide flexible and efficient water usage

Intuitive

- Maestro G3
 - 30 customizable wash cycles offer flexibility to meet the needs of any OPL laundry facility
 - Extra functions grant unlimited flexibility including rapid advance temperature-controlled fill, cycle time remaining and test cycle for diagnostics
- Maestro G2
 - 9 customizable programs help you increase the performance of your laundry operation
 - 3 programmable water levels allow you to modify the amount of water used within a cycle
- Maestro G1
 - Basic control with 4 pre-programmed cycles

IntelliSpin[®]

INNOVATIVE
TECHNOLOGY FOR
MAXIMUM PRODUCTIVITY

IntelliSpin is a technology that utilizes up to 200 G-Force to extract more water and reduce bottlenecks at the dryer. This results in matched cycle times between the washer and dryer to optimize efficiency while increasing turnaround times and reducing your utility costs.

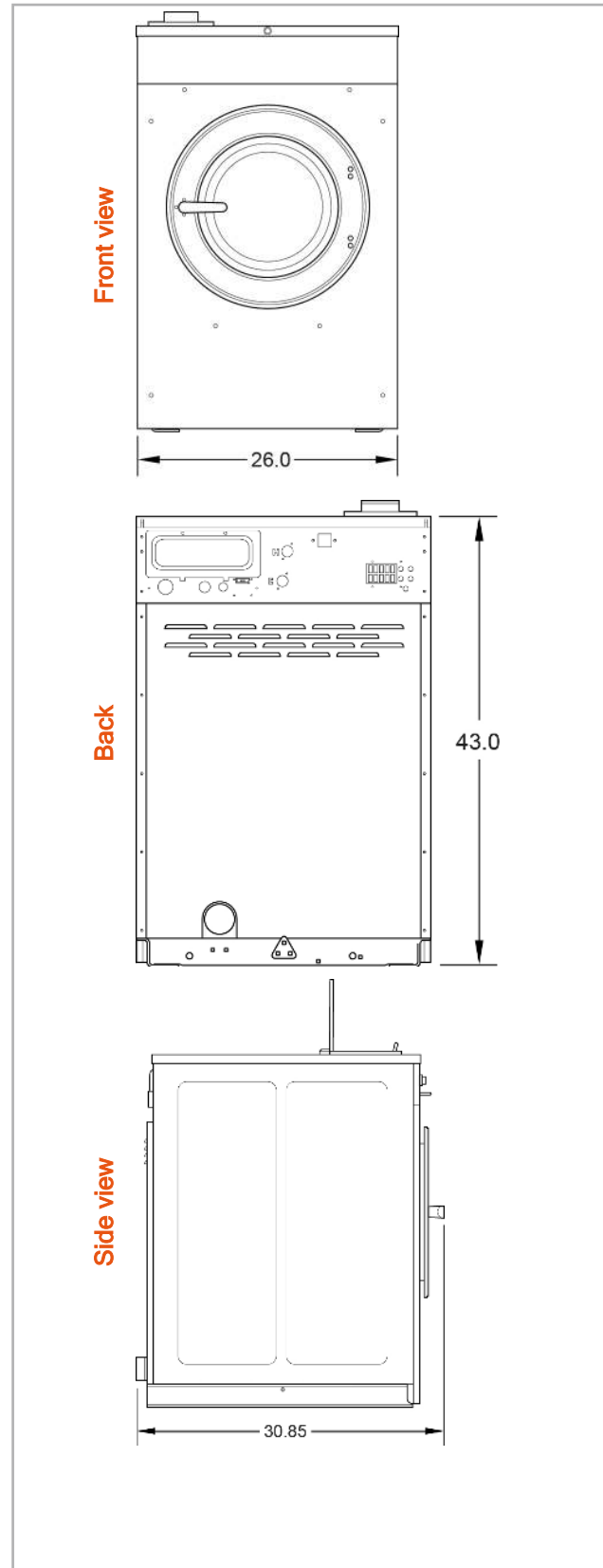
ICN020

Technical specifications

Cylinder capacity (lb)	20.0
Cylinder volume (cu ft)	2.8
Cylinder diameter (inch)	21
Cylinder depth (inch)	13.75
Perforations diameter (inch)	0.188
Door opening diameter (inch)	11.63
Height under door (inch)	14.38
Height to doorhandle (inch)	23.0
Door swing (°)	165
Normal spin speed cylinder (rpm)	579
Fast spin speed cylinder (rpm)	819
Wash speed cylinder (rpm)	51
G-Force normal spin	100
G-Force fast spin	200
Dynamic bottom load (Lb/kN)	420/1.86
Noise (dBA) (wash/spin)	58/61
Power motor (hp)	1.0
Water pressure (psi)	20-85
Hot water temp (°F) OPL	150
Water supply (inch)	2 x 3/4"
Diameter drain (inch)	2
Drain flow capacity (gallons/min)	25
Steam pressure (psi)	30-80
Steam connection	1 x 1/2"
Net unit weight (lb)	335
Net unit dimensions (HxWxD) (inch)	43.0 x 26.0 x 30.85
Std Pkg weight (lb)	365
Std Pkg Ship Dim. (HxWxD) (inch)	49.4 x 28.0 x 33.8

Voltages

Boiler Fed /Steam N:440-480/50/60/3	15A
Boiler Fed /Steam X:200-208/220-240/50/60/1/3	15A



All specifications subject to change without notice



ICN030

HARDMOUNT WASHER-EXTRACTOR

FOR ON-PREMISES LAUNDRY APPLICATIONS

INDUSTRIAL
BY DESIGN



Dependable

- Frame made of welded steel plate to increase life
- Large door allows easy loading and unloading
- Improved door lock and ergonomic door handle are designed for industrial use
- Cylinder made out of stainless steel
 - Optimized cylinder ribs for perfect distribution of linens
- Pulleys and oversized bearing house made of cast iron
- 5-year extended warranty on the frame, cylinder, shaft, bearings and seals.
3-year warranty on entire machine.

Efficient

- 4-compartment soap dispenser: two for powder and two for liquid soap
 - Lid with clear symbols for perfect dosage
- Drain mounted directly under the tub to reduce water consumption and allow re-use of water
- Minimal distance between tub and drum decreases water usage
- Slow drain and leak detection conserves water and reduces preventative maintenance
- Infrared communications port allows for programming and monitoring of your commercial laundry equipment from a PC or laptop
- 30 programmable water levels with Maestro G3 control provide flexible and efficient water usage

Intuitive

- Maestro G3
 - 30 customizable wash cycles offer flexibility to meet the needs of any OPL laundry facility
 - Extra functions grant unlimited flexibility including rapid advance temperature-controlled fill, cycle time remaining and test cycle for diagnostics
- Maestro G2
 - 9 customizable programs help you increase the performance of your laundry operation
 - 3 programmable water levels allow you to modify the amount of water used within a cycle
- Maestro G1
 - Basic control with 4 pre-programmed cycles

IntelliSpin[®]

INNOVATIVE
TECHNOLOGY FOR
MAXIMUM PRODUCTIVITY

IntelliSpin is a technology that utilizes up to 200 G-Force to extract more water and reduce bottlenecks at the dryer. This results in matched cycle times between the washer and dryer to optimize efficiency while increasing turnaround times and reducing your utility costs.

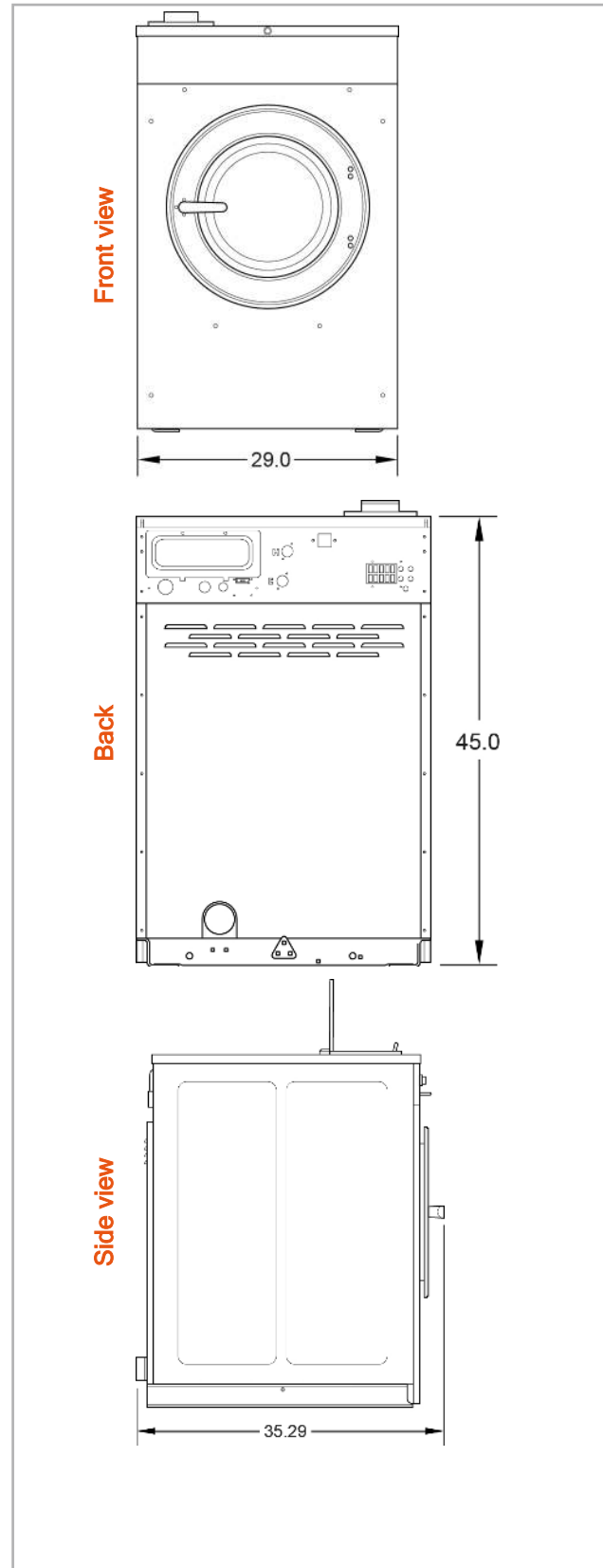
ICN030

Technical specifications

Cylinder capacity (lb)	30.0
Cylinder volume (cu ft)	4.2
Cylinder diameter (inch)	24.0
Cylinder depth (inch)	16.0
Perforations diameter (inch)	0.188
Door opening diameter (inch)	14.34
Height under door (inch)	14.0
Height to doorhandle (inch)	24.0
Door swing (°)	130
Normal spin speed cylinder (rpm)	542
Fast spin speed cylinder (rpm)	766
Wash speed cylinder (rpm)	48
G-Force normal spin	100
G-Force fast spin	200
Dynamic bottom load (Lb/kN)	630/2.8
Noise (dBA) (wash/spin)	58/66
Power motor (hp)	2.0
Water pressure (psi)	20-85
Hot water temp (°F) OPL	150
Water supply (inch)	2 x 3/4"
Diameter drain (inch)	2
Drain flow capacity (gallons/min)	30
Steam pressure (psi)	30-80
Steam connection	1 x 1/2"
Net unit weight (lb)	460
Net unit dimensions (HxWxD) (inch)	45.0 x 29.0 x 35.29
Std Pkg weight (lb)	495
Std Pkg Ship Dim. (HxWxD) (inch)	51.3 x 31.5 x 38.3

Voltages

Boiler Fed /Steam N:440-480/50/60/3	15A
Boiler Fed /Steam X:200-208/220-240/50/60/1/3	15A



All specifications subject to change without notice



ICN040

HARDMOUNT WASHER-EXTRACTOR

FOR ON-PREMISES LAUNDRY APPLICATIONS

INDUSTRIAL
BY DESIGN



Dependable

- Frame made of welded steel plate to increase life
- Large door allows easy loading and unloading
- Improved door lock and ergonomic door handle are designed for industrial use
- Cylinder made out of stainless steel
 - Optimized cylinder ribs for perfect distribution of linens
- Pulleys and oversized bearing house made of cast iron
- 5-year extended warranty on the frame, cylinder, shaft, bearings and seals.
3-year warranty on entire machine.

Efficient

- 4-compartment soap dispenser: two for powder and two for liquid soap
 - Lid with clear symbols for perfect dosage
- Drain mounted directly under the tub to reduce water consumption and allow re-use of water
- Minimal distance between tub and drum decreases water usage
- Slow drain and leak detection conserves water and reduces preventative maintenance
- Infrared communications port allows for programming and monitoring of your commercial laundry equipment from a PC or laptop
- 30 programmable water levels with Maestro G3 control provide flexible and efficient water usage

Intuitive

- Maestro G3
 - 30 customizable wash cycles offer flexibility to meet the needs of any OPL laundry facility
 - Extra functions grant unlimited flexibility including rapid advance temperature-controlled fill, cycle time remaining and test cycle for diagnostics
- Maestro G2
 - 9 customizable programs help you increase the performance of your laundry operation
 - 3 programmable water levels allow you to modify the amount of water used within a cycle
- Maestro G1
 - Basic control with 4 pre-programmed cycles

IntelliSpin[®]

INNOVATIVE
TECHNOLOGY FOR
MAXIMUM PRODUCTIVITY

IntelliSpin is a technology that utilizes up to 200 G-Force to extract more water and reduce bottlenecks at the dryer. This results in matched cycle times between the washer and dryer to optimize efficiency while increasing turnaround times and reducing your utility costs.

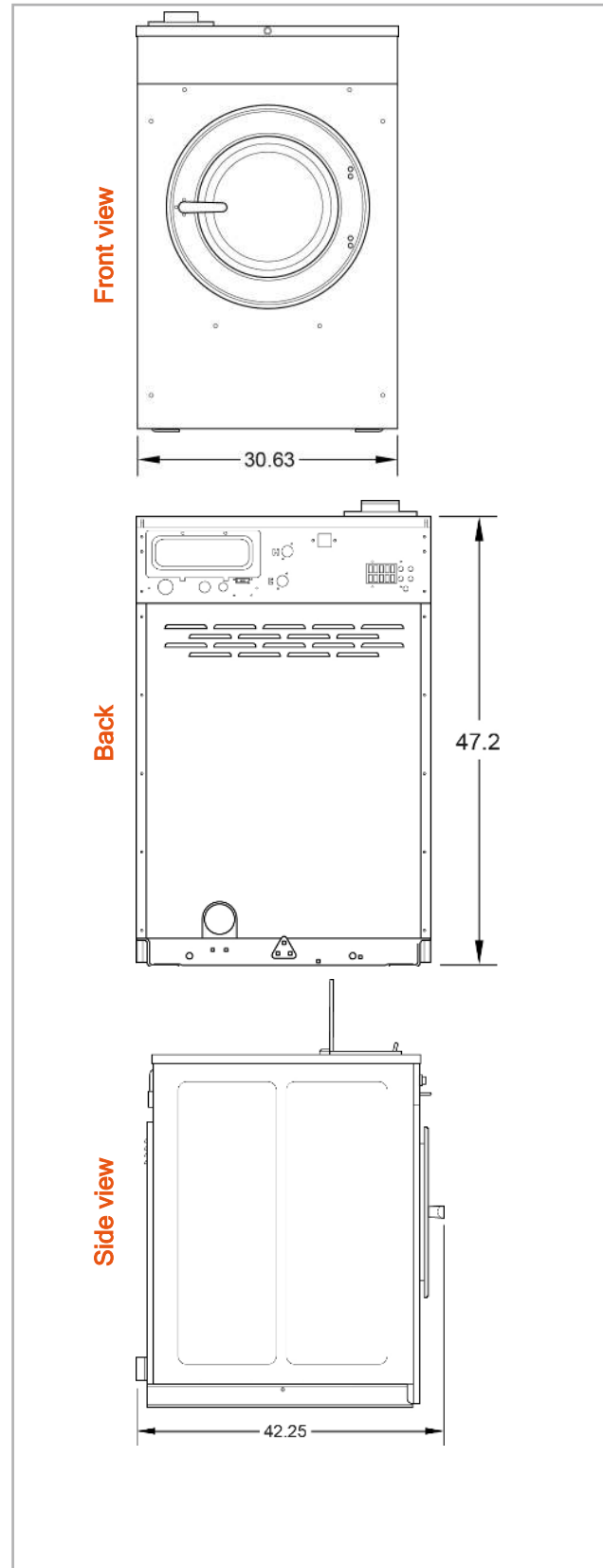
ICN040

Technical specifications

Cylinder capacity (lb)	40.0
Cylinder volume (cu ft)	6.3
Cylinder diameter (inch)	26.25
Cylinder depth (inch)	20.25
Perforations diameter (inch)	0.188
Door opening diameter (inch)	16.25
Height under door (inch)	14.56
Height to doorhandle (inch)	26.0
Door swing (°)	110
Normal spin speed cylinder (rpm)	518
Fast spin speed cylinder (rpm)	733
Wash speed cylinder (rpm)	46
G-Force normal spin	100
G-Force fast spin	200
Dynamic bottom load (Lb/kN)	840/3.74
Noise (dBA) (wash/spin)	58/66
Power motor (hp)	2.0
Water pressure (psi)	20-85
Hot water temp (°F) OPL	150
Water supply (inch)	2 x 3/4"
Diameter drain (inch)	3
Drain flow capacity (gallons/min)	40
Steam pressure (psi)	30-80
Steam connection	1 x 1/2"
Net unit weight (lb)	550
Net unit dimensions (HxWxD) (inch)	47.2 x 30.63 x 42.25
Std Pkg weight (lb)	590
Std Pkg Ship Dim. (HxWxD) (inch)	53.6 x 32.5 x 43.5

Voltages

Boiler Fed /Steam N:440-480/50/60/3	15A
Boiler Fed /Steam X:200-208/220-240/50/60/1/3	15A



All specifications subject to change without notice



ICN060

HARDMOUNT WASHER-EXTRACTOR

FOR ON-PREMISES LAUNDRY APPLICATIONS

INDUSTRIAL
BY DESIGN



Dependable

- Frame made of welded steel plate to increase life
- Large door allows easy loading and unloading
- Improved door lock and ergonomic door handle are designed for industrial use
- Cylinder made out of stainless steel
 - Optimized cylinder ribs for perfect distribution of linens
- Pulleys and oversized bearing house made of cast iron
- 5-year extended warranty on the frame, cylinder, shaft, bearings and seals.
3-year warranty on entire machine.

Efficient

- 4-compartment soap dispenser: two for powder and two for liquid soap
 - Lid with clear symbols for perfect dosage
- Drain mounted directly under the tub to reduce water consumption and allow re-use of water
- Minimal distance between tub and drum decreases water usage
- Slow drain and leak detection conserves water and reduces preventative maintenance
- Infrared communications port allows for programming and monitoring of your commercial laundry equipment from a PC or laptop
- 30 programmable water levels with Maestro G3 control provide flexible and efficient water usage

Intuitive

- Maestro G3
 - 30 customizable wash cycles offer flexibility to meet the needs of any OPL laundry facility
 - Extra functions grant unlimited flexibility including rapid advance temperature-controlled fill, cycle time remaining and test cycle for diagnostics
- Maestro G2
 - 9 customizable programs help you increase the performance of your laundry operation
 - 3 programmable water levels allow you to modify the amount of water used within a cycle
- Maestro G1
 - Basic control with 4 pre-programmed cycles

IntelliSpin[®]

INNOVATIVE
TECHNOLOGY FOR
MAXIMUM PRODUCTIVITY

IntelliSpin is a technology that utilizes up to 200 G-Force to extract more water and reduce bottlenecks at the dryer. This results in matched cycle times between the washer and dryer to optimize efficiency while increasing turnaround times and reducing your utility costs.

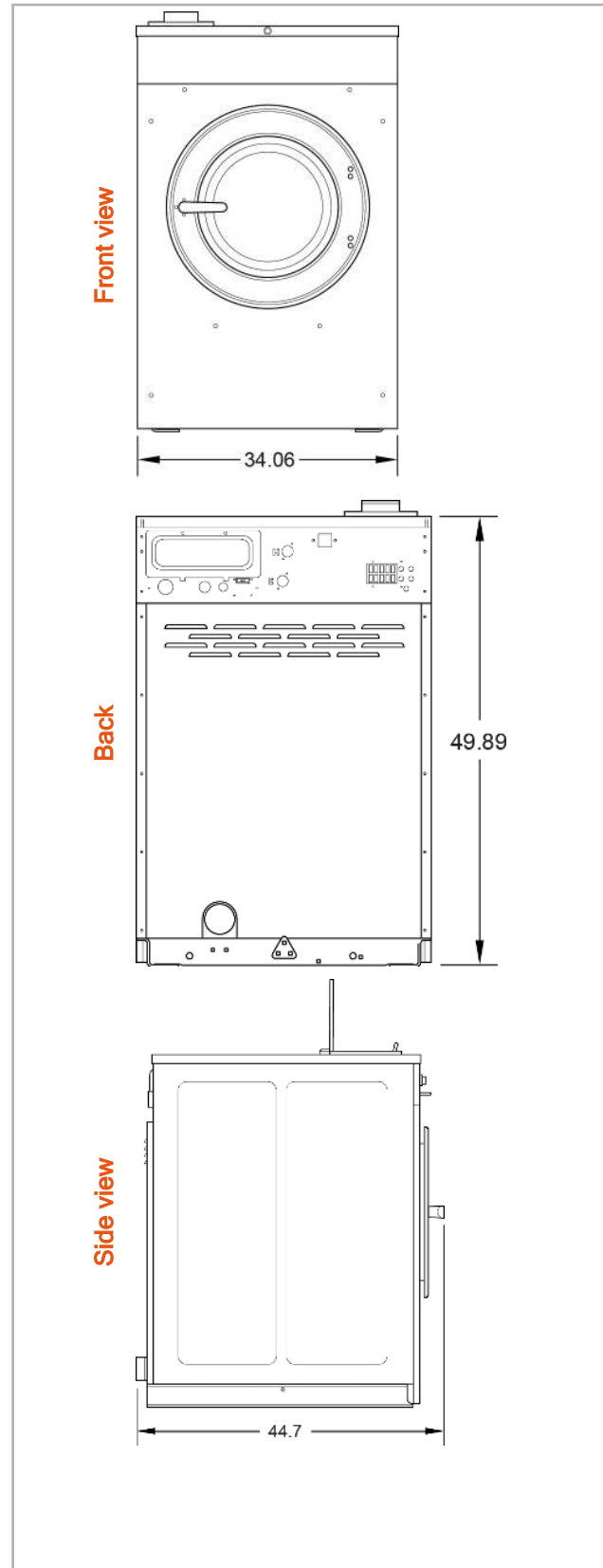
ICN060

Technical specifications

Cylinder capacity (lb)	60.0
Cylinder volume (cu ft)	9.0
Cylinder diameter (inch)	30.0
Cylinder depth (inch)	22.0
Perforations diameter (inch)	0.188
Door opening diameter (inch)	16.25
Height under door (inch)	14.94
Height to doorhandle (inch)	26.4
Door swing (°)	110
Normal spin speed cylinder (rpm)	485
Fast spin speed cylinder (rpm)	686
Wash speed cylinder (rpm)	43
G-Force normal spin	100
G-Force fast spin	200
Dynamic bottom load (Lb/kN)	1260/5.61
Noise (dBA) (wash/spin)	58/66
Power motor (hp)	3.0
Water pressure (psi)	20-85
Hot water temp (°F) OPL	150
Water supply (inch)	2 x 3/4"
Diameter drain (inch)	3
Drain flow capacity (gallons/min)	50
Steam pressure (psi)	30-80
Steam connection	1 x 1/2"
Net unit weight (lb)	695
Net unit dimensions (HxWxD) (inch)	49.89 x 34.06 x 44.7
Std Pkg weight (lb)	745
Std Pkg Ship Dim. (HxWxD) (inch)	56.3 x 37.5 x 46.9

Voltages

Boiler Fed /Steam N:440-480/50/60/3	15A
Boiler Fed /Steam X:200-208/220-240/50/60/1/3	15A



All specifications subject to change without notice