



STACK TUMBLE DRYERS

FOR VENDED LAUNDRY APPLICATIONS

INDUSTRIAL
BY DESIGN



T30

T45

Unmatched Industrial Reliability

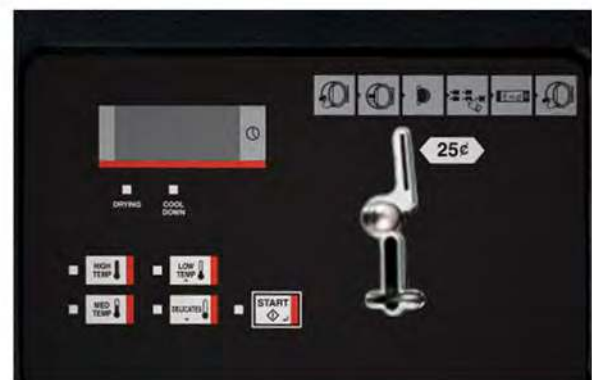
- Double capacity in the same floor space
- Extra large cylinder capacity
- Large door & door opening
 - Easy loading & unloading
 - Extra strong hinge
- Standard galvanized drum
 - Patented oval drum holes preventing damage from standard drywall screws
- Unique suspension system
 - At the rear: bearing
 - At the front: support rollers with bearings
- Large lint filter
 - Easy removal of lint
 - Efficient drying
- Axial airflow
 - Drum perforations only at the front & at the back
 - Maximum airflow & less energy consumption: energy-efficient & short drying times
- Large Coin Box
 - Designed to withstand vandalism



Easy to Use Simplicity

- MDC Control
 - Easy to use and flexible microprocessor control
 - 4 freely adaptable programs
 - Temperature can be freely programmed per degree
 - Both the drying and cool-down times are easily programmable
 - Drying time per coin can be easily set
 - Prices are freely programmable

CONTROL FEATURES



MICRO-DISPLAY

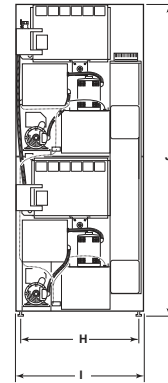
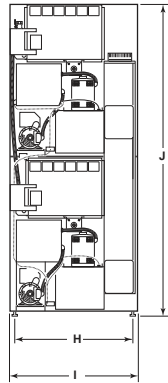
Our micro-display control makes things simple for customers with digitally displayed vend prices, four cycle options and a cycle time countdown.

Dimensions

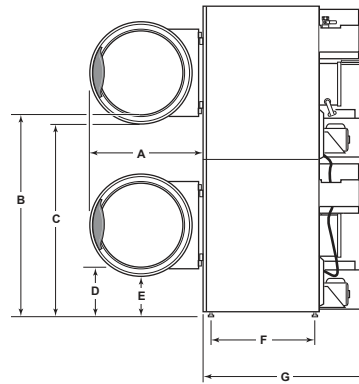
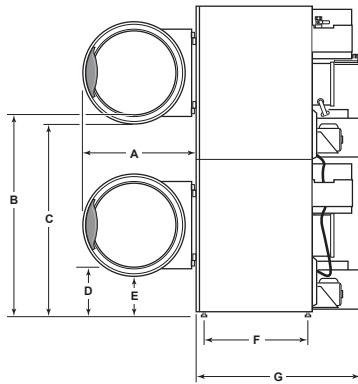
T30

T45

BACK



SIDE



A 27.99 inch	F 25.04 inch
B 49.02 inch	G 42.76 inch
C 48.27 inch	H 27.36 inch
D 11.42 inch	I 31.50 inch
E 10.71 inch	J 76.26 inch

A 31.89 inch	F 29.37 inch
B 50.39 inch	G 48.62 inch
C 49.29 inch	H 30.51 inch
D 10.31 inch	I 34.49 inch
E 9.29 inch	J 81.22 inch

Technical Specifications

	T30	T45
Filling ratio (20:1) (lb)	33	46
Dry weight capacity (lb)	2x30	2 x 45
Cylinder		
Volume (cu ft)	10.6	14.8
Diameter (inch)	30	33
Depth (inch)	26	30
Door opening diameter (inch)	22.68	26.89
Temperature min (°F)	100.4	100.4
Temperature max (°F)	190.4	190.4
Power motor non-reversing		
Cylinder (hp)	0.25	0.50
Fan (hp)	0.25	0.50
Exhaust flow rate (60 Hz) (cfm)	400	600
Diameter (inch)	1x8"	1 x 10"
Power		
Electric heating (kW)	21	
Gas heating (Btu/h)	73,000	95,000
Gas heating (kcal)	18,390	23,930
Steam heating		
@ 6.9 bar (bhp) / (Btu/h)	3.2 / 111,000	N/A
@ 1.0 bar (bhp) / (Btu/h)	2.2 / 74,000	N/A
Steam connection inlet	3/4"	N/A
Steam connection outlet	3/4"	N/A
Gas connection	1/2"	1/2"
Gas connection - Pressure NG/LP (mb)	20 / 28.37	20 / 28.37
Std Pkg Ship Dim. (HxWxD) (inch)	81 x 32.5 x 47	85 x 35.5 x 54
Noise level (dBA)	66	67
Weight		
Gross (Gas/elec) (lb)	582	718
Gross (Steam) (lb)	582	N/A
Net (Gas/elec) (lb)	544	673
Net (Steam) (lb)	544	N/A

Type of Heating *

	T30	T45
Steam / gas heating 120/208-240/60/1 (120V)	16A	
Steam / gas heating 120/208-240/60/1 (240V)	8A	
Steam / gas heating 200-208/240/60/3	6.4A	
Steam / gas heating 460-480/60/3	3.3A	
Gas heating 208-240/60/1		12.0A
Gas heating 200-208/240/60/3		9.6A
Electric heating 208/60/3	124A	
Electric heating 240/60/3	108A	
Electric heating 480/60/3	54A	

*Total Amp draw