

MAT20CS TOP-LOAD WASHER



DEEP-WATER WASH SYSTEM

- Provides optimal wash performance with deep-water wash and rinse cycle options and vigorous cleaning action.
- Traditional flex-vane agitator provides four distinct wash profiles—from aggressive to gentle—designed to pull clothes from the top to the bottom of the wash basket.
- PowerWash® cycle provides more agitation for the dirtiest loads.



SIMPLE, EASY-TO-USE CONTROLS

- Mechanical controls provide a simple user interface with robust, easy-to-use knobs.
- Coin-ready models also allow owners to customize their machines to set the right price for the right environment.



POWERFUL DRIVE SYSTEM

- Enhanced design of the triple-lip seal and stainless-steel shaft, in addition to the premium bearings, delivers reliability and consistency.
- Powerful ½-HP PSC motor and quad-gear transmission create an efficient wash for every load.



HEAVY-DUTY CABINET

- Possesses the strength needed for high-demand commercial environments.
- Sturdy front panel, side panels, and easy-access base are all manufactured from high-grade, extra-strength galvanized steel.



REMOVABLE FRONT PANEL



PREMIUM PORCELAIN ENAMEL TOP & LID



EASY-ACCESS STEEL BASE



Visit maytagcommerciallaundry.com or call 800-662-3587

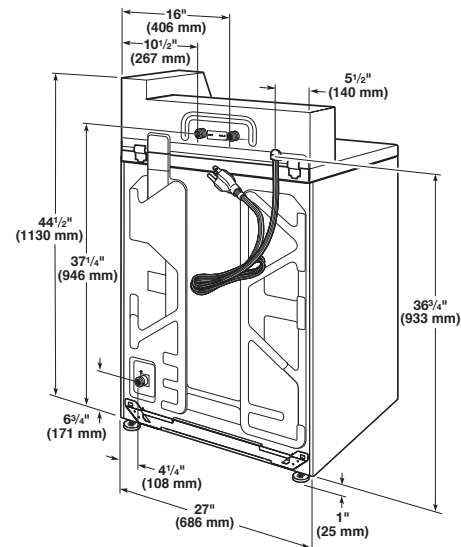
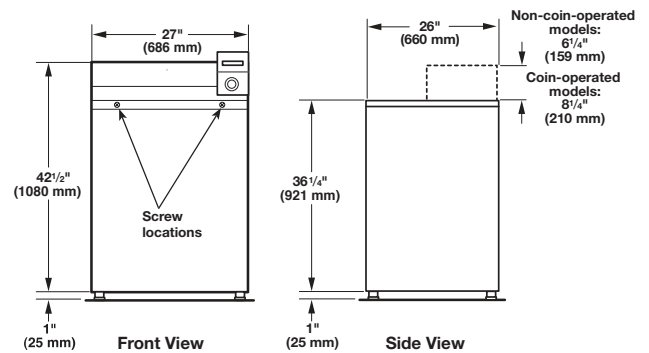
OUR COMMITMENT TO DEPENDABLE QUALITY

We understand what dependability means to your owners. That's why we use sturdy components and engineer our products to withstand tough commercial laundry environments for years. Our machines deliver consistent results, powerfully cleaning loads of varying sizes with ease. And because we trust our machines to perform, we back them with exceptional warranties. That's what reliability means to Maytag.

MAYTAG® COMMERCIAL TOP-LOAD WASHER MECHANICAL CONTROLS, COIN SLIDE-READY

WASHER SPECIFICATIONS	
MODEL	MAT20CSAWW/DOMESTIC
MOTOR SIZE—HP (KW)	1/2 (.37)
MODIFIED ENERGY FACTOR (MEF)	8.5
WATER FACTOR (WF)	1.6
APPROXIMATE WATER USAGE—GALLONS (LITERS)	
Average total water usage per cycle	24.65 (93.3)
Average hot water usage, warm water cycle	0.53 (2)
Average hot water usage, hot water cycle	6.51 (24.6)
EXTRACT SPEED—MAX G-FORCE / MAX RPM	144/700
CAPACITY	
Cylinder volume—cu. ft. (liters)	2.9 (82)
Cylinder diameter—in. (mm)	20.8 (528)
Cylinder depth—in. (mm)	23.8 (605)
DIMENSIONS	
Width—in. (mm)	27 (686)
Depth—in. (mm)	26 (660)
Height—in. (mm)	44-1/2 (1,130)
Lid opening—in. (mm)	17 (432)
CRATED DIMENSIONS	
Width—in. (mm)	29 (737)
Depth—in. (mm)	27.5 (699)
Height—in. (mm)	49 (1,255)
APPROXIMATE WEIGHT	
Uncrated—lbs. (kg)	156 (70.8)
Crated—lbs. (kg)	174 (78.9)
ELECTRICAL REQUIREMENTS	
Electrical rating—voltage/HZ	120/60
Breaker/Fuse—amps	15
WATER INLET / HOSE	
Operating pressure PSI (bar)	20–100 (1–8)
Inlet hose length—ft. (m)	6 (1.8)
Drain hose length—ft. (m)	4.2 (1.3)
WARRANTY	5-Year Limited
Dimensions are for planning purposes only. See specific instructions for proper installation. Because of continuous product improvement, Maytag reserves the right to change specifications without notice.	

MAT20CS TOP-LOAD WASHER



Back View



5-YEAR LIMITED WARRANTY ALL PARTS COVERED

For a period of time from the date of original purchase through the time listed above, the designated parts that fail in normal commercial use will be repaired or replaced free of charge for the part itself, with the owner paying all other costs, including labor, transportation and customs duty. Chemical damage is excluded from all warranty coverage. Visit maytagcommerciallaundry.com for warranty details.