

# MAT20PR TOP-LOAD WASHER



## DEEP-WATER WASH SYSTEM

- Provides optimal wash performance with deep-water wash and rinse cycle options and vigorous cleaning action.
- Traditional flex-vane agitator provides four distinct wash profiles—from aggressive to gentle—designed to pull clothes from the top to the bottom of the wash basket.
- PowerWash® cycle provides more agitation, hotter water, and an extra rinse for the dirtiest loads.



## INTELLIGENT CONTROLS WITH M-SERIES TECHNOLOGY

- Puts owners in charge of their profits, and provides wash-cycle flexibility to end users.
- Simple, step-by-step customized set-up allows each cycle to be priced individually.



## POWERFUL DRIVE SYSTEM

- Enhanced design of the triple-lip seal and stainless-steel shaft, in addition to the premium bearings, delivers reliability and consistency.
- Powerful 1/2-HP PSC motor and quad-gear transmission create an efficient wash for every load.



## HEAVY-DUTY CABINET

- Possesses the strength needed for high-demand commercial environments.
- Sturdy front panel, side panels, and easy-access base are all manufactured from high-grade, extra-strength galvanized steel.



REMOVABLE FRONT PANEL



PREMIUM PORCELAIN ENAMEL TOP & LID



EASY-ACCESS STEEL BASE



Visit [maytagcommerciallaundry.com](http://maytagcommerciallaundry.com) or call 800-662-3587

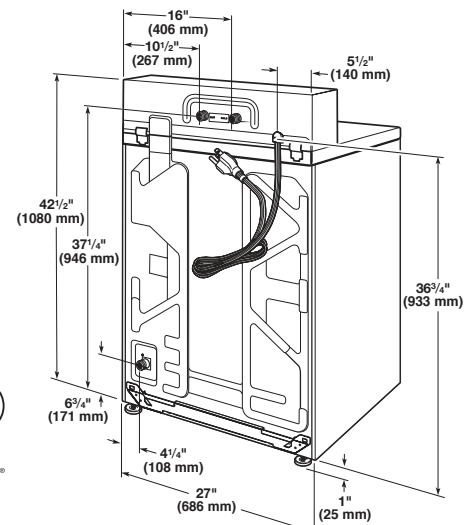
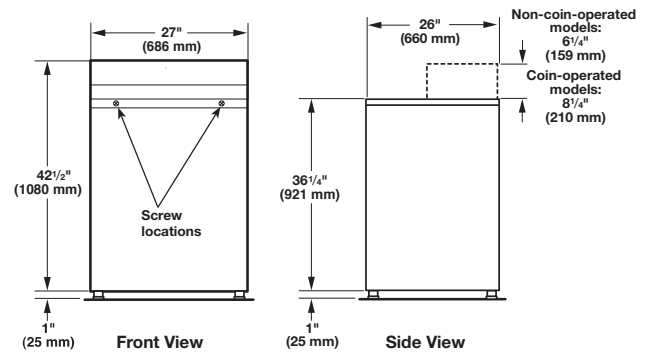
## OUR COMMITMENT TO DEPENDABLE QUALITY

We understand what dependability means to your owners. That's why we use sturdy components and engineer our products to withstand tough commercial laundry environments for years. Our machines deliver consistent results, powerfully cleaning loads of varying sizes with ease. And because we trust our machines to perform, we back them with exceptional warranties. That's what reliability means to Maytag.

## MAYTAG® COMMERCIAL TOP-LOAD WASHER INTELLIGENT CONTROLS, CARD READER-READY OR NON-COIN OPERATION

WASHER SPECIFICATIONS	
<b>MODEL</b>	<b>MAT20PRAWW/DOMESTIC</b>
<b>MOTOR SIZE—HP (KW)</b>	1/2 (.37)
<b>MODIFIED ENERGY FACTOR (MEF)</b>	1.89
<b>WATER FACTOR (WF)</b>	5.72
<b>APPROXIMATE WATER USAGE—GALLONS (LITERS)</b>	
Average total water usage per cycle	16.59 (62.8)
Average hot water usage, warm water cycle	.56 (2.1)
Average hot water usage, hot water cycle	7.03 (26.6)
<b>EXTRACT SPEED—MAX G-FORCE / MAX RPM</b>	144/700
<b>CAPACITY</b>	
Cylinder volume—cu. ft. (liters)	2.9 (82)
Cylinder diameter—in. (mm)	20.8 (528)
Cylinder depth—in. (mm)	23.8 (605)
<b>DIMENSIONS</b>	
Width—in. (mm)	27 (686)
Depth—in. (mm)	26 (660)
Height—in. (mm)	42-1/2 (1,080)
Lid opening—in. (mm)	17 (432)
<b>CRATED DIMENSIONS</b>	
Width—in. (mm)	29 (737)
Depth—in. (mm)	27.5 (699)
Height—in. (mm)	49 (1,255)
<b>APPROXIMATE WEIGHT</b>	
Uncrated—lbs. (kg)	146 (66.2)
Crated—lbs. (kg)	164 (74.4)
<b>ELECTRICAL REQUIREMENTS</b>	
Electrical rating—voltage/HZ	120/60
Breaker/Fuse—amps	15
<b>WATER INLET / HOSE</b>	
Operating pressure PSI (bar)	20–100 (1–8)
Inlet hose length—ft. (m)	6 (1.8)
Drain hose length—ft. (m)	4.2 (1.3)
<b>WARRANTY</b>	<b>5-Year Limited</b>
Dimensions are for planning purposes only. See specific instructions for proper installation. Because of continuous product improvement, Maytag reserves the right to change specifications without notice.	

# MAT20PR TOP-LOAD WASHER



Back View



### 5-YEAR LIMITED WARRANTY ALL PARTS COVERED

For a period of time from the date of original purchase through the time listed above, the designated parts that fail in normal commercial use will be repaired or replaced free of charge for the part itself, with the owner paying all other costs, including labor, transportation and customs duty. Chemical damage is excluded from all warranty coverage. Visit [maytagcommerciallaundry.com](http://maytagcommerciallaundry.com) for warranty details.