

MVW18MNB

MAYTAG® COMMERCIAL ENERGY ADVANTAGE™ TOP-LOAD WASHER



LEGENDARY MAYTAG DEPENDABILITY

Maximizing your equipment investment for over a half-century.

INDUSTRY'S MOST ENERGY-EFFICIENT TOP-LOAD WASHER

The MVW18 is the industry's most energy-efficient top-load washer* and uses on average 14.96 gallons of water per cycle, which helps reduce your energy and water costs.

A COMPLETE LINE OF ENERGY-EFFICIENT SOLUTIONS

Maytag brand offers a complete line of high-efficiency commercial laundry appliances—from energy-efficient dryers to highly efficient ENERGY STAR®-qualified washers—to help you save money and build profits.

FOR YOUR CUSTOMERS:

- Best Cleaning Available Enabled By PowerWash® Cycle**
- Extra-Large Lid and Tub Opening
- User-Friendly Controls Allow for Customized Cleaning

FOR YOUR OPERATION:

- Sensor Fill Water Levels Help Reduce Water Usage
- High-Speed Spin of 144 G-Force Helps Reduce Dry Time

BUILT-TO-LAST FEATURES:

- Premium Porcelain-Enamel Top
- Smooth Balance Suspension System
- Front Access for Easier-Self Service
- 5-Year Limited Warranty—All Parts Covered



LAUNDRY SOLUTIONS
YOU CAN *DEPEND ON.*

*Based on regulations.doe.gov published data.

**Based on a 14-lb. load; among leading top-load commercial brands, PowerWash® cycle vs. comparable cycles.

visit maytagcommerciallaundry.com
or call 800-662-3587

OUR COMMITMENT TO DEPENDABLE QUALITY



At Maytag brand, we believe durable goods should remain just that. That's why every Maytag® product is constructed of the highest-quality materials and with the utmost in precision craftsmanship. It's also why we stand behind our equipment with solid service and support from our professional Maytag laundry suppliers. Simply put, when you choose Maytag® products, you ensure your peace of mind.



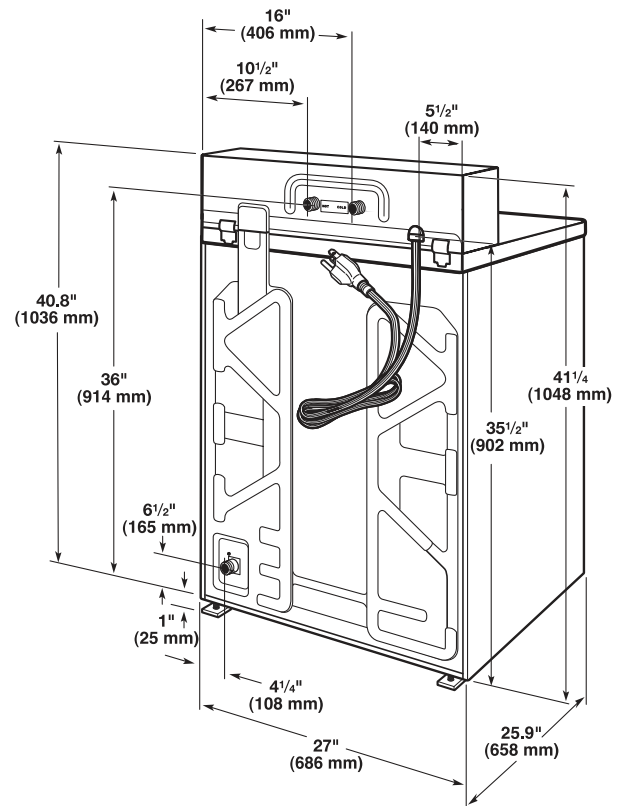
MVW18MNB MAYTAG® COMMERCIAL ENERGY ADVANTAGE™ TOP-LOAD WASHER

Maytag® Commercial Energy Advantage™ Top-Load Washer

MECHANICAL NON-COIN

WASHER SPECIFICATIONS	
MODEL	MVW18MNB
MOTOR	
Single-phase, reversible, thermoprotected, high torque	✓
HP (kw)	.33 (.25)
APPROXIMATE WATER USAGE—GALLONS (LITERS)	
Average hot water usage, hot water cycle	4.41 (16.7)*
Average hot water usage, warm water cycle	—
Average total water usage per cycle	14.96 (56.6)*
ELECTRIC RATING	
Domestic model—voltage/Hz	120/60
Export model—voltage/Hz	220–240/50
BREAKER/FUSE MINIMUM REQUIREMENTS	
Domestic model—amps	15
Export model—amps	10
CAPACITY	
Cylinder volume—cu. ft. (liters)	2.9 (82)
Cylinder diameter—in. (mm)	20.8 (528)
Cylinder depth—in. (mm)	23.8 (605)
EXTRACT SPEED	
Maximum RPM	700
Maximum G-Force	144
OPERATING PRESSURE	
Psi (bar)	20–100 (1–8)
INLET HOSE LENGTH	
Ft. (m)	6 (1.8)
DRAIN HOSE LENGTH	
Ft. (m)	4.2 (1.3)
ADJUSTABLE LEVELING LEGS	✓
APPROXIMATE WEIGHT	
Crated—lbs. (kg)	137 (63)
Uncrated—lbs. (kg)	122 (55)
DIMENSIONS	
Height—in. (mm)	40.8 (1,036)
Width—in. (mm)	27 (686)
Depth—in. (mm)	25.9 (658)
Lid opening—in. (mm)	17 (432)
WARRANTY	5-YEAR

*Average based on DOE J1 testing with factory preset cycles.
Dimensions are for planning purposes only. See specific instructions for proper installation. Because of continuous product improvement, Maytag reserves the right to change specifications without notice. Export model ships without coin-drop mechanism.



**MODIFIED ENERGY
FACTOR (MEF): 2.0
WATER FACTOR
(WF): 5.15**



5-YEAR LIMITED WARRANTY ALL PARTS COVERED

For a period from the date of original purchase through the time listed above, the designated parts that fail in normal commercial use will be repaired or replaced free of charge for the part itself, with the owner paying all other costs, including labor, transportation and customs duty. Chemical damage is excluded from all warranty coverage. See complete warranty for details.