

# ADC AD-115

## 115-lb Capacity Coin Dryer

### Standard Features:

- 115-lb. capacity
- 33.10 cu. ft. basket volume
- 343,000 Btu/hr heat input, 2,100 cfm airflow
- Self diagnostic microprocessor with patented auto drying feature
- Steel door with gasketless glass
- Easy to clean lint drawer
- Fits through a standard 48" door opening
- Reversing basket is standard
- Available in gas, steam and electric heat

### Optional Features:

- Stainless steel front, cabinet & basket
- S.A.F.E. (Sensor Activated Fire Extinguishing System)

COIN



AD-115 Coin Dryer

## Why Purchase ADC AD-115?

### Engineer Driven Design That is Built to Last

Our dryers showcase ADC's engineer-driven approach to design. Bearings are permanently lubricated on the motor and drive system. There are no chains used at ADC; rather, we use V-belts and pulleys for smooth, quiet, and trouble free operation. Our dryer cabinets are electrostatically powder-painted inside and out then baked at 420-degrees fahrenheit before final assembly - ensuring the hardest surface and the longest lasting finish in the industry.

### Rugged Steel Door with Gasketless Door Glass

Our dryer doors are one solid piece of steel with gasketless glass. This eliminates the issue of glass falling out due to wear and tear on rubber gaskets that some manufacturers use to secure their glass. The security and durability that gasketless glass provides is essential to a successful laundromat operation.

### Easy-to-Read, Multilingual Controls

We were the first to bring computer operated dryers to the market and today we continue to be a leader in applying technology to dryer operation. Our years of experience along with our accessible design, easy-to-read LCD screens and our user friendly multilingual interface positions ADC as the pioneer in the laundry industry.

Your local ADC independent authorized distributor



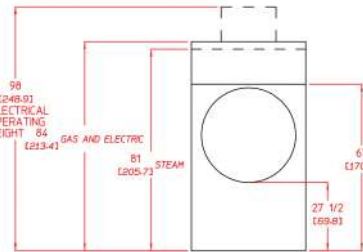
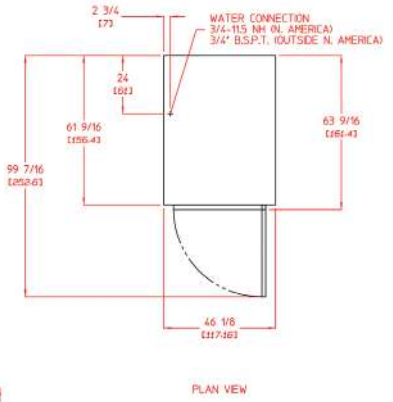
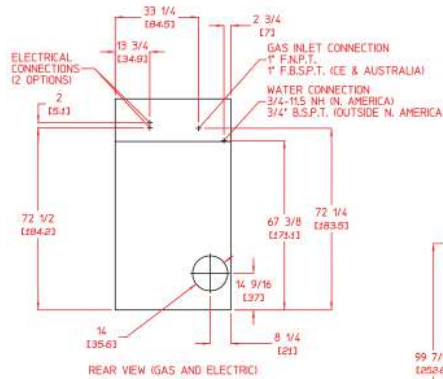
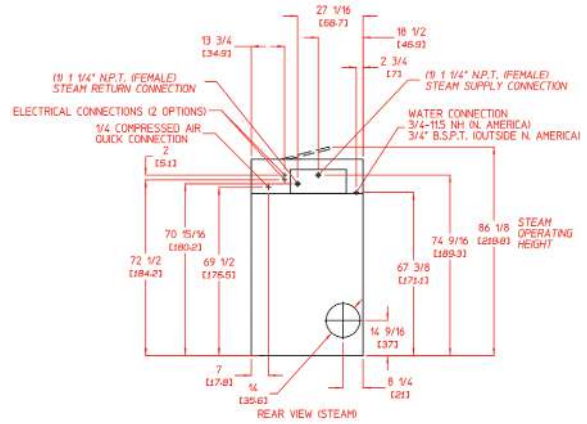
# ADC AD-115

## AD-115 Specifications

Tumbler Capacity (Dry Weight)	115 lbs. (52.16 kg)		
Tumbler Diameter	42" (106.68 cm)		
Tumbler Depth	41-1/4" (104.78 cm)		
Tumbler Volume	33.10 cu ft (937.29 L)		
Tumbler/Drive Motor	3/4 hp (0.56 kW)		
Blower/Fan Motor	3 hp (2.24 kW)		
Door Opening (Diameter)	31-3/8" (79.69 cm)		
Door Sill Height	27-1/2" (69.85 cm)		
S.A.F.E. Water Connection	North America Outside North America		
	3/4" F.N.P.T. (11.5 N.H.) 3/4" B.S.P.T.		
Dryers per 20'/40' Container	4 / 8		
Dryers per 48'/53' Truck	9 / 10		
Width	46-1/8" (117.16 cm)		
Depth	63-9/16" (161.4 cm)		
<b>Gas</b>	Voltage Available	208-575V 3ø 3,4w 50/60 Hz	
	Approximate Net Weight	1,260 lbs (571.53 kg)	
	Approximate Shipping Weight	1,400 lbs (635.03 kg)	
	Airflow	60 Hz 2,100 cfm (59.47 cmm) 50 Hz 1,750 cfm (49.55 cmm)	
	Heat Input	343,000 Btu/hr (86,435 kcal/hr)	
	Exhaust Connection (Diameter)	14" (35.56 cm)	
	Compressed Air Connection	N / A	
	Compressed Air Volume	N / A	
	Inlet Pipe Connection	1" F.N.P.T. 1" F.B.S.P.T. (CE and Australia Only)	
	<b>Electric</b>	Voltage Available	208-575V 3ø 3,4w 50/60 Hz
Approximate Net Weight		1,260 lb (571.53 kg)	
Approximate Shipping Weight		1,400 lb (635.03 kg)	
Airflow		60 Hz 2,100 cfm (59.47 cmm) 50 Hz 1,750 cfm (49.55 cmm)	
Exhaust Connection (Diameter)		14" (35.56 cm)	
Compressed Air Connection		N / A	
Compressed Air Volume		N / A	
Oven Size			
kW		Btu/hr	kcal/hr
60		204,700	51,600
72	245,700	61,900	
<b>Steam</b>	Voltage Available	208-575V 3ø 3,4w 50/60 Hz	
	Approximate Net Weight	1,555 lb (705.34 kg)	
	Approximate Shipping Weight	1,695 lb (768.84 kg)	
	Airflow	60 Hz 2,100 cfm (59.47 cmm) 50 Hz 1,750 cfm (49.55 cmm)	
	Steam Consumption	365 lb/hr (166 kg/hr)	
	Operating Steam Pressure	125 psi max (8.62 bar, 862 kPa)	
	Exhaust Connection (Diameter)	14" (35.56 cm)	
	Compressed Air Connection**	1/8" N.P.T.	
Compressed Air Volume **	0.75 cfh (0.02 cmh)		
Boiler HP (Normal Load)	11 Bhp		
Standard Supply Connections †	(1) 1-1/4" M.N.P.T. (Female)		
Standard Return Connections †	(1) 1-1/4" M.N.P.T. (Female)		

Specifications in parentheses are metric equivalents.

1/6/15



### Electrical Service Specifications

SERVICE VOLTAGE	PHASE	WIRE SERVICE	APPROX AMP DRAW		CIRCUIT BREAKER
			60 Hz	50 Hz	
<b>GAS &amp; STEAM</b>					
208	3ø	3	15	--	20
220	3ø	3	15	--	20
230	3ø	3	--	17	25
240	3ø	3	15	--	20
380	3ø	4*	--	9	15
400	3ø	4*	--	9	15
416	3ø	4*	--	7	15
440	3ø	3	9	--	15
460	3ø	3	8	--	15
480	3ø	3	8	--	15
575	3ø	3	10	--	15

\* Air operated steam damper system requires a clean, dry, and regulated 80 PSI +/- 10 PSI (5.51 bar +/- 0.68 bar) air supply.

### Electrical Service Specifications

SERVICE VOLTAGE	PHASE	WIRE SERVICE	APPROX AMP DRAW		CIRCUIT BREAKER
			60 Hz	50 Hz	
<b>60 kW (Nominal) Electric</b>					
208	3ø	3	182	--	250
230	3ø	3	--	155	200
240	3ø	3	159	--	200
380	3ø	4*	--	86	125
400	3ø	4*	--	88	125
416	3ø	4*	--	93	125
460	3ø	3	77	--	100
480	3ø	3	80	--	100
575	3ø	3	67	--	90
<b>72 kW (Nominal) Electric</b>					
208	3ø	3	215	--	300
230	3ø	3	--	182	250
240	3ø	3	188	--	250
380	3ø	4*	--	101	150
400	3ø	4*	--	104	150
460	3ø	3	91	--	125
480	3ø	3	95	--	125
575	3ø	3	78	--	100

